

CE

## LED MOVING HEAD LIGHT



**PLEASE READ BEFORE USING THE LIGHTING**

## 1. CHECKING

Thank you for choosing the products of our products. Please carefully read this instruction and keep it so that reading that used. this include installing of the LED moving head lighting and important information about using. please strictly abide by this instruction.

This moving LED is made of plastic cover of new, strengthened and heat-resisting project with smooth and beautiful design, which manifests the product traits of modern luminaries. The products were strictly designed and produced according to CE standard and in accordance with the DMX512 agreement .It can use by single and control with each other . it fit to the place like the big literature performance, theater, the performance hall and disco .

It use big power lamp which from OSRAM or Philips. Please carefully taking out and putting . and checking whether the products have the damage by delivery and checking fits as follows:

**Main lamp-----1pcs**

**Signal wire-----1 line**

**Light hook -----1 pcs**

**Instruction-----1 book**

## 11. MAINTENANCE AND CLEANING

**-- This moving LED must be kept clean basically, which means dust, dirt or draft of tobacco tar should not be stayed on/in the case, otherwise, it will sharply decrease the output of the moving LED. Regular cleaning can guarantee not only LED output but its life as well. It is suggested to be cleaned by soft cloth with premium glass detergent instead of using alcohol or solvent!**

**★Danger: Switch off power supply before any maintenance.**

**★The front glass is easily stained by the draft of tobacco tar, which will decrease light output, so it should be cleaned once a week. As for cooling fan, once a month.**

**★There is not any repairable part inside the device except for fuse.**

**★ Only franchisers have the right for maintenance.**

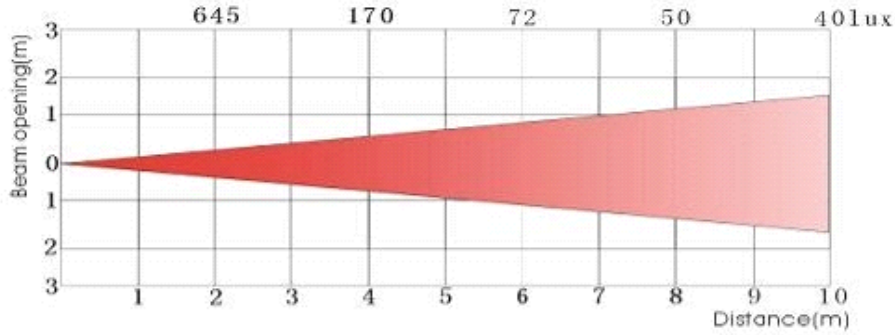
**★ Change of Fuse**

**When the bulb is burnt, the fuse might also be burnt at the same time. Only the fuse with same model and class need to be changed.**

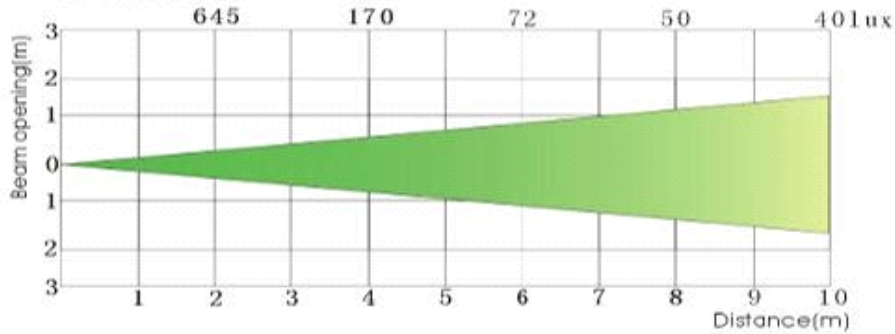
**★Switch off power supply before changing fuse.**

# 10、 Light Path

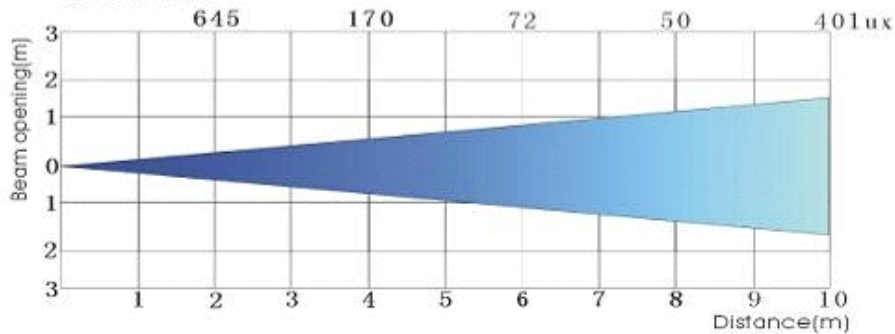
## Red color



## Green color



## Blue color



## 2. SAFETY INSTRUCTIONS

Requirements to all relevant people involving in installation and maintenance:

–Have technician qualification.

–Obey the instruction

**Caution: water-proof and damp-proof. Turn off the main power supply before opening up the case. High voltage, avoid shock! This equipment should be safe after leaving factory. To guarantee these conditions and safe operation, users must obey safety instructions and notes as following.**

**Keynote:**

- **Manufacturer is not responsible for any accident caused by abnormal operation against the instructions and device alteration without permission.**
- **Note: Maintenance range excludes device trouble caused by any arbitrary alteration of the instructions.**
- **Do not connect power supply wire to other wires! Pay more attention that the voltage of power supply should conform to that of mainframe! Make sure that valid voltage is not higher than the indicated voltage on rear window.**
- **Be sure that the plug should connect to electric outlet very well. Make sure that turn off the power supply before device is connected to the main power supply.**
- **Be sure that power supply wire should not be broken or cut or damaged by sharp object. Check device and power supply wire regularly.**
- **Switch off main power supply before the device is used or cleaning. Hold the plug to pull the wire. Do not hold the wire to pull the plug.**
- **This device is the first grade protection so that the yellow/green wire should be connected to the ground. Circuit connection, maintenance and service should be operated by specialized technicians.**
- **Do not connect this device to light adjuster.**
- **In order to use bulb for a long time, do not switch on and off the device frequently within a short time.**
- **There might be some smoke or odor when this device is used for the first time, which is normal phenomenon and does not indicate any problem.**
- **Caution! Watch out eyes! Avoid looking at light source directly ( esp. the epileptic ) !**

### **3.OPERATION INSTRUCTIONS**

- **The equipment is LED moving head wash lighting .it can create decorative effect.**
- **Don't run it when the equipment through the obvious temperature, ( eg. After transporting ), because thermal expansion and contraction will damage the equipment . please open it when the equipment reach the room temperature .**
- **Anti-shock. preventing strongly collision in installing**
- **Don't lift the equipment through the light head .because the equipment will be damage , please carry the equipment by conveyance.**
- **Please make sure put the equipment on the clearly places, no high temperature ,damp, and dust. Don't put the any wire on the land ,if that it will hurt you and other people .**
- **Make sure the place of installing have fixed up when fixing ,re-fix and protection.**
- **Please use the safety rope fix up the lamp hunger and lock down the regular place.**
- **You can operate the equipment when you make sure the lamp have fixed well and all the screws have been screwed down well.**
- **Notes: please change the lens in time when the lens has the obvious damage , make sure the lens can keep its own functions. eg, blast or deeply scratch.**
- **You can operate the equipment after knowing its functions .only the engineer can operate the equipment. Because much damage will be cause by nonprofessional operating.**
- **Please use the original package when convey the equipment .**
- **Prohibiting alter the equipment privately for the safety.**
- **Any equipment troubles don't belong to the term of service .if the troubles were caused by operating without according to the rules of instruction. and for the reasons given above such as short circuit, hurt, electric shocking ,hurt by ultraviolet, lamp breaking etc. these are not belong to the term of service.**

### **9. SKILL SPECIFICATION**

**Power source:**

**- Voltage :AC100V-240V 50/60HZ**

**Rating power: 180W**

**Channel quantity: 12 standard DMX channels**

**Lamp : LED big power lamp from importing**

**Specification of Toroidal transformer: -Output alternating current : 27V**

**-Output current : 10A**

**Specification of Fan :**

**-Size: 80\*80\*25**

**-DC24V/0.3A**

**Specification of fuse: Fuse of machine holder: 5\*20/10A**

**Bright light:**

**three-in-one colorfull 36pcs 1W LED**

**Size/Weight:**

**-Size: 350mm\*290mm\*300mm**

**-Net weight: 9.8kg**

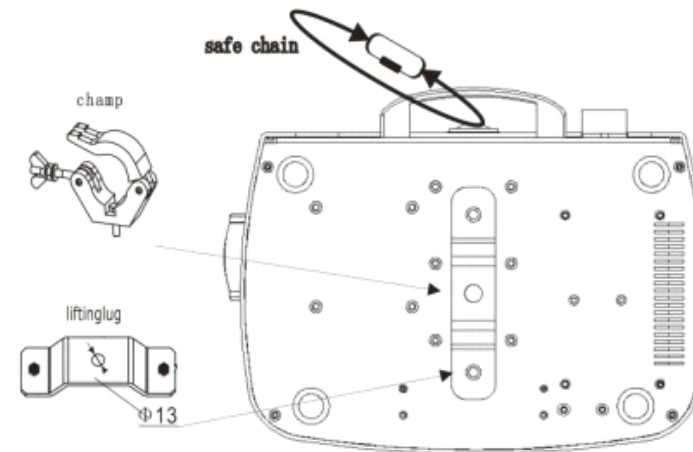
## 8.MOVING LED CHANNAL LIST

channal	Channal instruction	Data	Effect
1	Function control channel	000~029	no effect
		030~050	closing the sunshine when level and tilt running
		051~069	reset
		070~079	no effect
		080~109	running automatic procedures 1
		110~139	running automatic procedures 2
		140~169	running sound procedures 1
		170~199	running sound procedures 2
200~255			
2	Dimmer	0~100%	gray adjustment
3	Strobe	000~006	no strobe
		007~065	strobe from slow to fast
		066~069	no strobe
		070~128	Lighting electromagnetic impulse strobe from slow to fast
		129~132	no strobe
		133~191	gradually strobe from slow to fast
		192~195	no strobe
		196~255	gradually dark strobe from slow to fast
4	Level scan	0~540°	scan
5	Tilt scan	0~280°	scan
6	Red	0-100%	adjusting brightness
7	Green	0-100%	adjusting brightness
8	Blue	0~100%	adjusting brightness
9	RGB macroscopically function	000~004	no macroscopically function
		005~044	8 fixed colors
		045~049	no effect
		050~094	8 colors changing circle (9 grade )
		095~099	no effect
		100~149	8 colors gradually change circle (5 grade )
		150~154	no effect
		155~166	red + green from dark to bright
		167~178	green + red from bright to dark
		179~190	green + blue from dark to bright
		191~202	blue + green from bright to dark
		203~214	blue + red from dark to bright
		215~226	red + blue from bright to dark
		227~238	red +green +blue from dark to bright at the dame time
		239~250	blue +red (from dark to bright ) and blue + green (from bright to dark ) at the same time
251~255	out 100% at the same time		
10	scan speed		
11	pan 16 bit		
12	tilt 16 bit		

Please keep the equipment far away from the flammable objects like finishing material, etc. keep at least 0.5m distance from the flammable objects.

**Warning:** using two lamp clamps fix the equipment on the bottom of the lamp holder according to the instruction. to make sure the place of install the lamp is safe and suitable ,and the installation point that have chosen is safety and reliable.

1. The place of installing the lamp must support the 10 times weight of the lamp itself. And test the pensile place and make sure the place isn't out of the shape.
2. Must install the second protection when fixing the equipment like proper protective screening. The second protection is used to prevent drop off and lost of lamp and components.
3. Lamps can directly install the lamp holder , which is shown in the figure:




The equipment is used the shelf in the air, it usually have the circus life line, but it can support 10 times weight of the lamp. you must use the circus lifeline which have safety catch. The circus lifeline pass through bottom of the lamp and inter wine the lamp hunger and other fixed objects, at last put the extremity of the circus lifeline into the safety catch and screw down the screw.

## 5. MAIN MACHINE CONNECTION

Please checking the power equipment supported.

Please put the plug of power source wire connect with the main power source .

( EU )Wire	Wire(America)	Direction of wire	General marks
<b>Brown</b>	<b>Black</b>	<b>Live</b>	<b>L</b>
<b>Light blue</b>	<b>White</b>	<b>Neutral</b>	<b>N</b>
<b>Yellow/Green</b>	<b>Green</b>	<b>Earth</b>	

## 6.CONNECTION OF DMX-512 AND

### CONNETION WITH THE LIGHT EQUIPMENT

Please connect XLR-XLR control wire with every light from the output of DMX.

**XLR connection :**

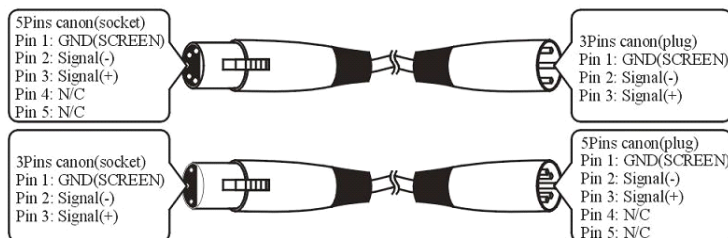
DMX-OUTPUT



DMX-INTPUT



**ATTENTION: Please do remember to connect one circle circuit plug on the output signal of last equipment. And this circle circuit plug was connected a 120ohm resistance between terminals 2 and 3 of the CANON plug, connect this circle circuit plug can avoid the signal flash phenomena of signal DMX512 during the transmission.**



## 7.Setting of the display

